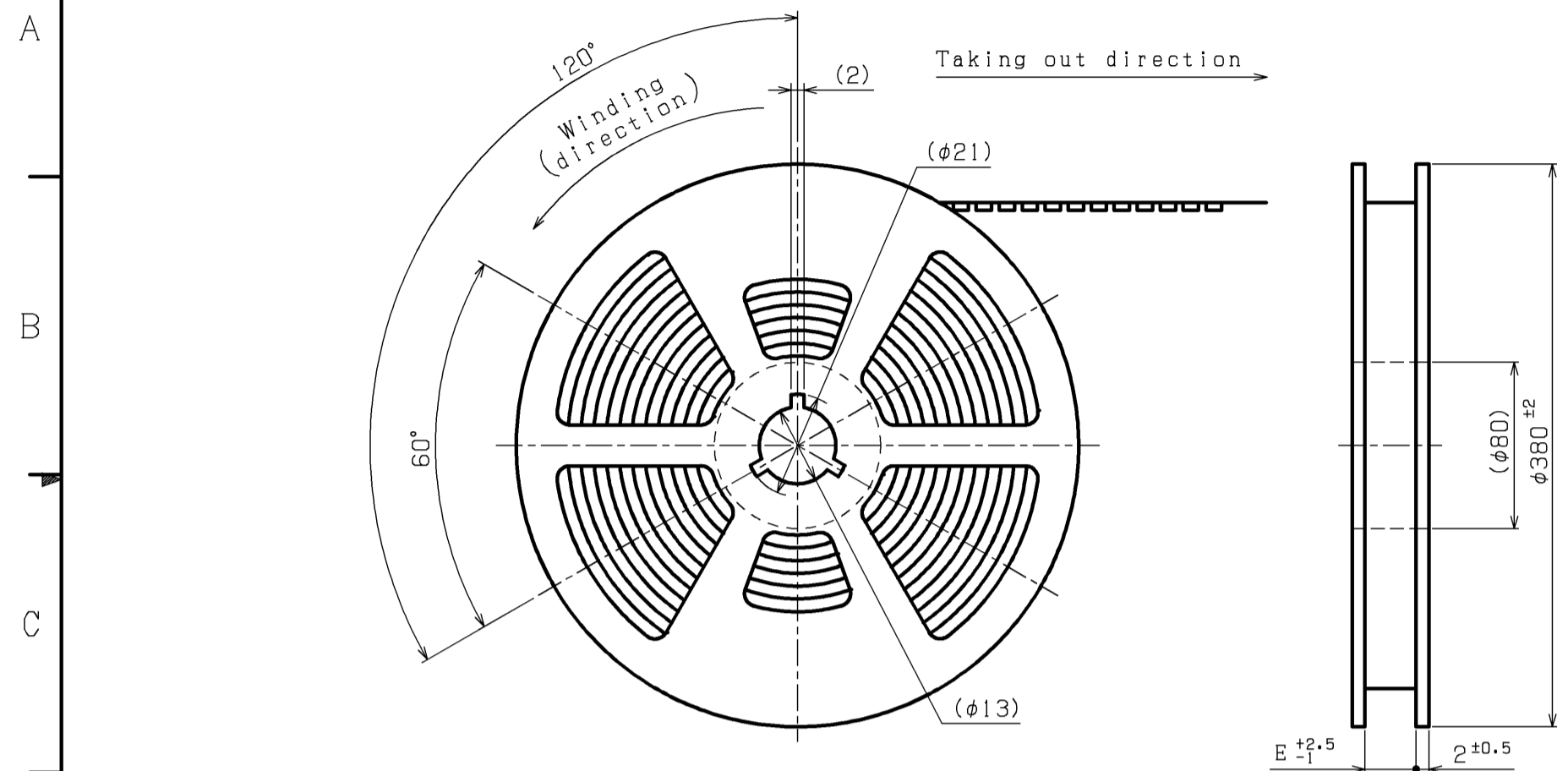
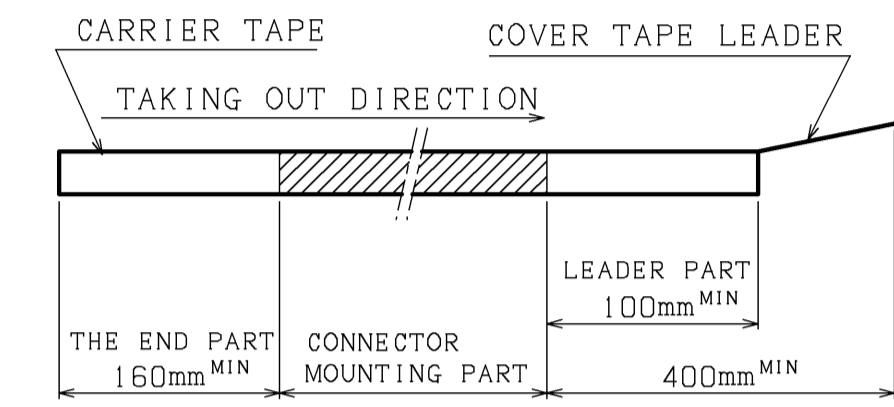


REV.	DESCRIPTION	DATE	DESIGNED
△	Color part No. is added.	AUG. 3.2007	T.S

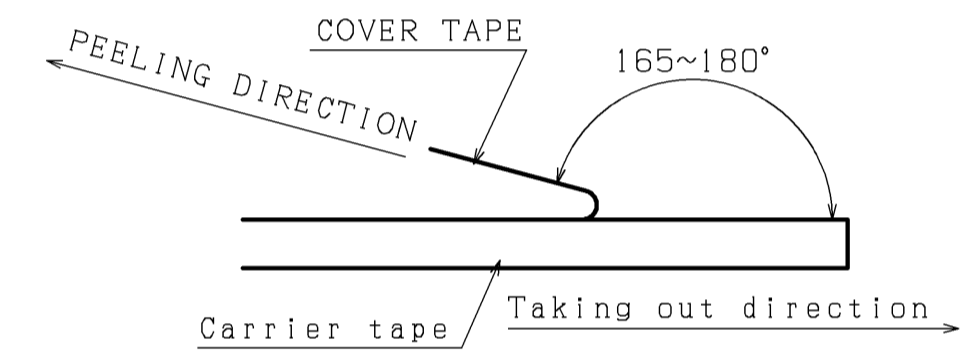


NOTE

- 1.Connector part:See the DWG. of ZE connector.
- 2.Quantity to be packaged:800pcs/reel
- 3.Leading tape length.

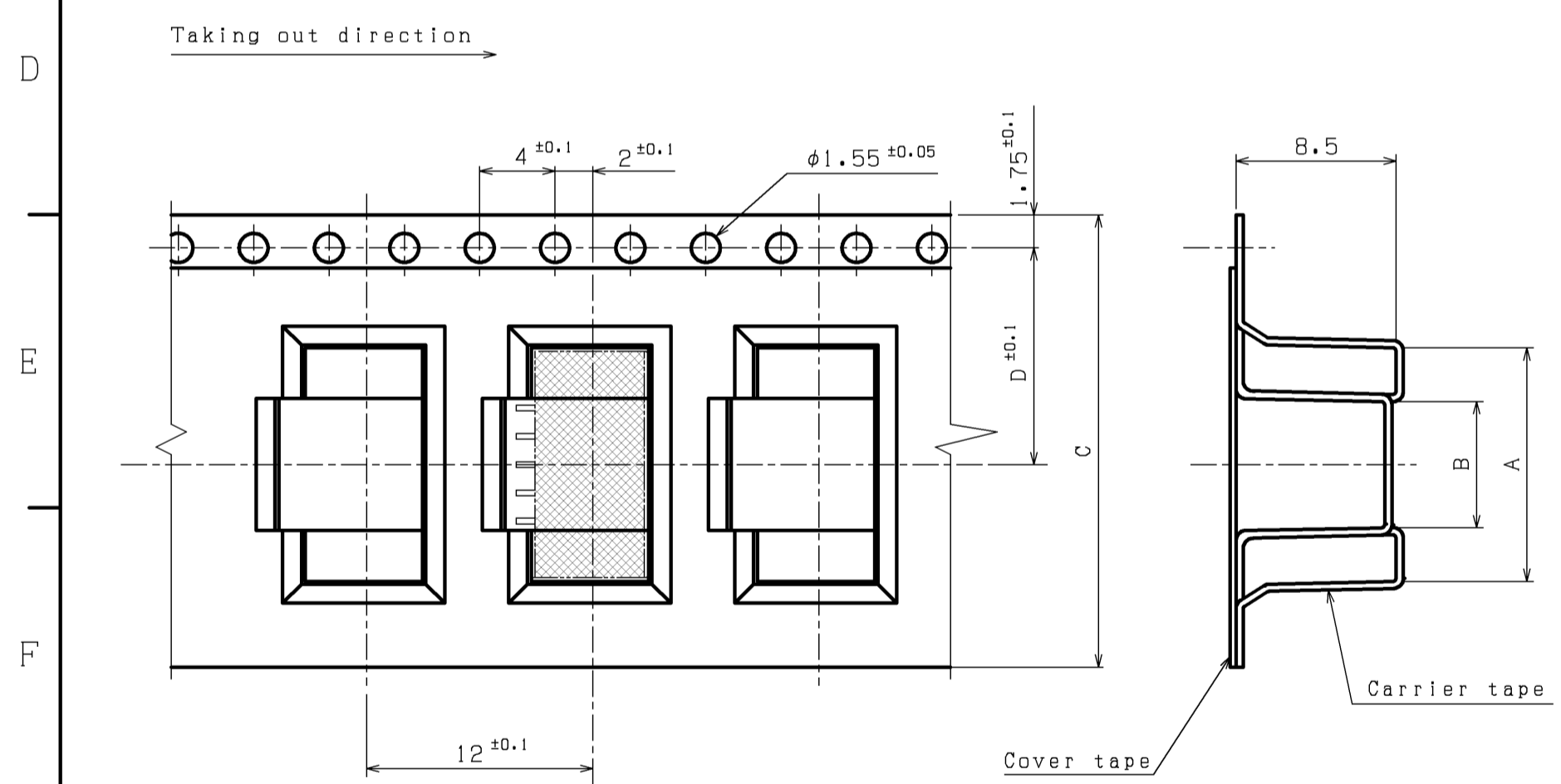


- 4.Cover tape peel strength:0.1~1N
(Peel speed:300mm/minute)



- 5.Material:Carrier tape;Polyester (PET)
Cover tape ;Polyester (PET)
Reel ;Flange;Polystyrene (PS)
Core ;Polypropylene (PP)
Polystyrene (PS)

- 6.Unless otherwise specified,
tolerances are ±0.3



SUCTION TAPE CONFIGURATION

Color	Part No.
Natural	BM()-ZBSS-TBT (LF) (SN)
Moss green	BM()-ZEMGS-TBT (LF) (SN)

Cir- cuts	Dimensions					
	A	B	C	D	E	F
2	7.9	2.2	24.0	11.5	25.5	7.3
3	9.4	3.7	24.0	11.5	25.5	8.8
4	10.9	5.2	24.0	11.5	25.5	10.3
5	12.4	6.7	24.0	11.5	25.5	11.8
6	13.9	8.2	24.0	11.5	25.5	13.3

No.	PART NAME	MATERIAL	SURFACE FINISH	REMARKS
SIZE	UNIT	SCALE	PROJECTION	DATE
A2	METRIC	3:1	⊕	AUG. 3.2007
APPROVED	CHECKED	DESIGNED	DRAWN	SERIES NAME
S.K		T.S	A.S	ZE CONNECTOR EMBOSSED-TAPING
				PART No.
				BM()B-ZE()S-TBT (LF) (SN)
				DRAWING No.
				KRD-41787
				R1

JST J.S.T.MFG.CO.,LTD.